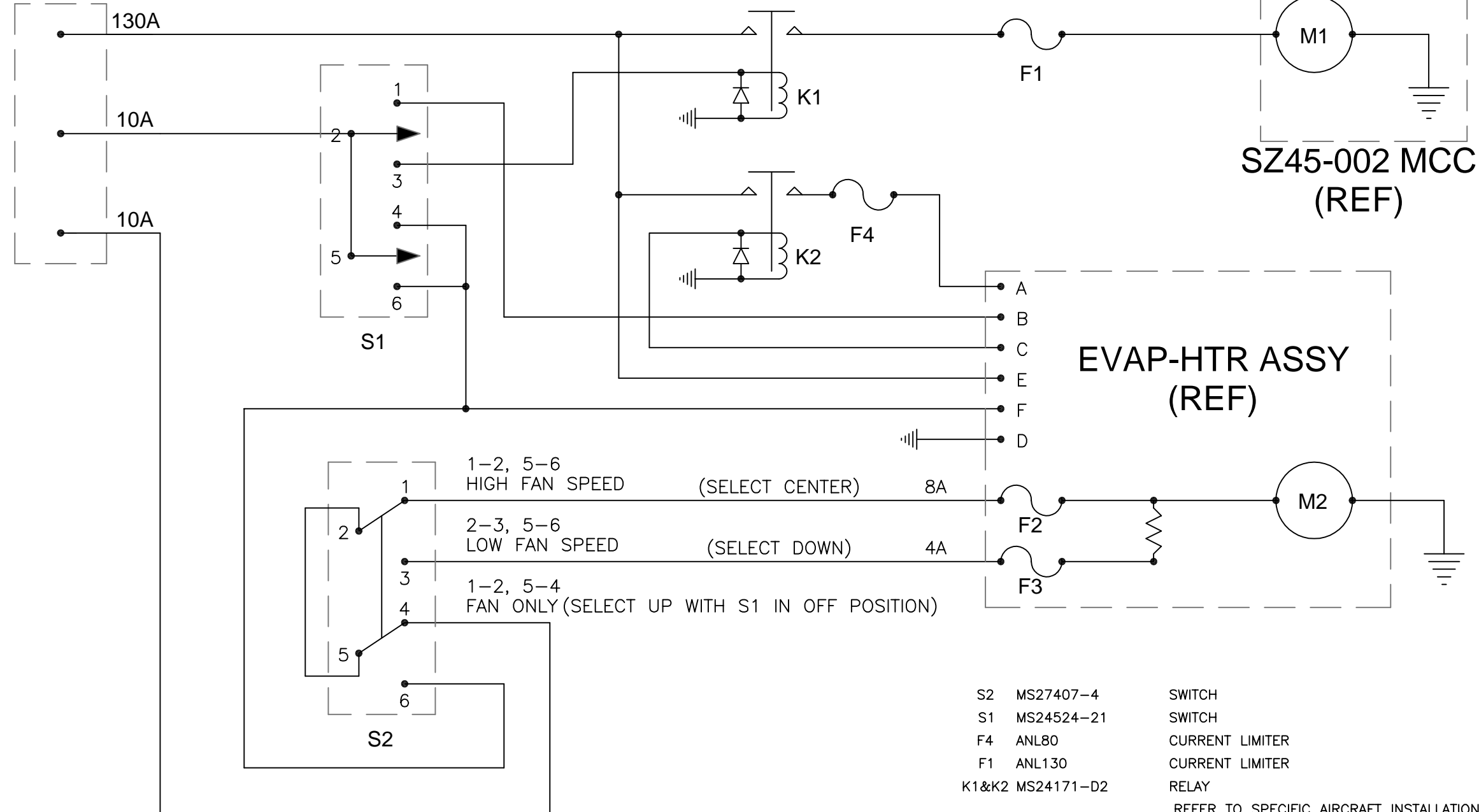


LIST OF REVISIONS			
REV	DESCRIPTION	DATE	APPVD
IR	INITIAL RELEASE	11-14-03	KJZ

ACFT
POWER



S2	MS27407-4	SWITCH
S1	MS24524-21	SWITCH
F4	ANL80	CURRENT LIMITER
F1	ANL130	CURRENT LIMITER
K1&K2	MS24171-D2	RELAY

REFER TO SPECIFIC AIRCRAFT INSTALLATION FOR DETAILS

NOTES:

1. USE M22759/16-(xx) WIRE. REFER TO A.C.43.13-2B FOR WIRE SIZE.
2. DIODE 1N4007.
3. TERMINAL END LUGS TO MEET MS25036, SPLICES TO MEET MS25181.
4. JUMPER 2 TO 5 ON SWITCH S2.
5. S2 KEYWAY MUST BE UP.

PROPRIETARY DATA NOTIFICATION
THE INFORMATION CONTAINED HEREIN IS PROPRIETARY TO ZEE SYSTEMS, INC. DISCLOSURE, REPRODUCTION OR ANY OTHER USE OR DISSEMINATION OF THIS INFORMATION IS FORBIDDEN WITHOUT WRITTEN AUTHORIZATION FROM ZEE SYSTEMS, INC., SAN ANTONIO, TX.

NO. REQ'D. PER ASSY		PART NO.	NAME	STOCK SIZE	MATERIAL	MAT'L SPEC
LIST OF MATERIAL						
UNLESS OTHERWISE NOTED			DRAWN BY	K.ZAIONTZ	11-14-03	TITLE
.X+/- .060			CHECK			TYPICAL SCHEMATIC (FUNCTIONAL)
.XX+/- .030			STRESS			
.XXX+/- .010			ENGR	K.ZAIONTZ	11-14-03	
DASH NO.	NO. REQ'D PER ASSY	NEXT ASSY	MODEL	ZEE SYSTEMS, INC. 406 W. Rhapsody San Antonio, TX 78216 USA		DWG NO. SZ45H-WD-F
				DWG SIZE	11X17	SCALE N/A
				SHT 1 OF 1		REV IR